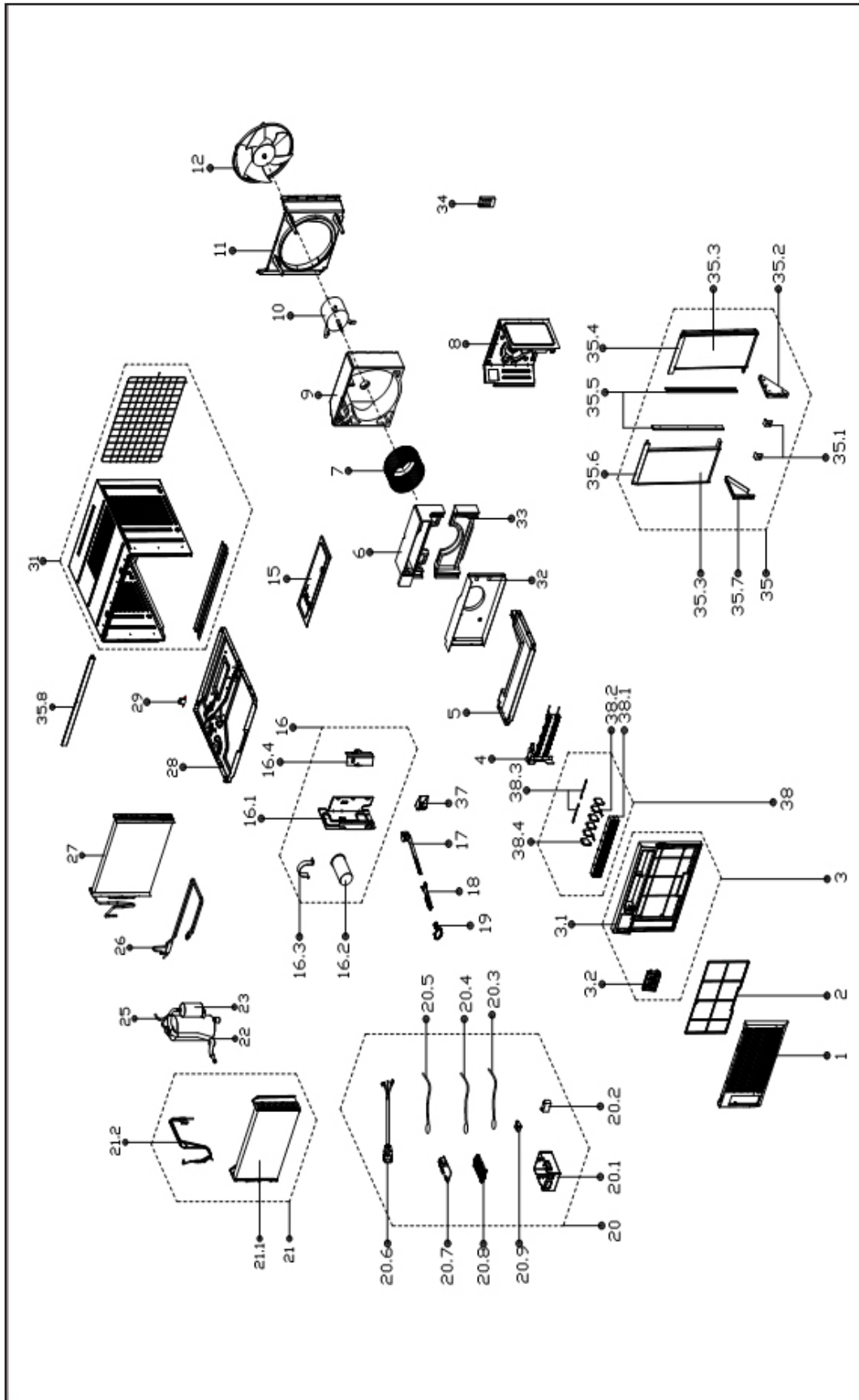




Room Air Conditioner with R-410A

REG-183M

EXPLODED VIEW



REPLACEMENT PARTS

Location	Part Name	Quantity	Part No.
1	Panel	1.0	12120300A00717
2	Filter	1.0	12100204A00047
3	Panel frame assembly	1.0	12120300A01763
3.1	Panel frame	1.0	12120300A00827
3.2	Structure Subassembly of Display Box	1.0	17220300A01677
4	Electric Heater Assembly	1.0	17402004000029
5	Drain Pan	1.0	12820300000025
6	Front Upper Air Duct Foam	1.0	12820300000081
7	Centrifugal Fan	1.0	12100103000048
8	Front right Boarding assembly	1.0	122203000000575
9	Rear Air Duct Foam Subassembly	1.0	128203000000053
10	Single-phase Asynchronous Motor	1.0	11002012000361
11	Rear barrier Subassembly	1.0	121203000000561
12	Axial fan	1.0	12100105000076
15	Front clapboard	1.0	122203000000524
16	Front left Boarding	1.0	122203000000581
16.1	Front left Boarding assembly	1.0	122203000000584
16.2	Compressor Capacitor(Round)	1.0	174001030000053
16.3	Capacitor Clamp	1.0	122002030000029
16.4	Electrical Heating and Installing Box	1.0	122203000000459
17	Pull rod I of new vent door	1.0	121203000000425
18	Pocket II of new vent door	1.0	12120300001286
19	Pull rod II-B7 of new vent door	1.0	121203000000427
20	E-Parts Box Assembly of Upper Air-out Window Series - E-Parts Box	1.0	172203000000604
20.1	Welding Parts of Electrical Control Box	1.0	122203000000505
20.2	Fan Capacitor	1.0	17400101000001
20.3	Temperature Sensor	1.0	11201007000126
20.4	Room Temperature Sensor	1.0	11201007000088
20.5	Discharge temperature sensor assembly	1.0	11201007000198
20.6	Power Supply Cable Subassembly	1.0	17401202000149
20.7	Main Control Board Subassembly - Medium Wind, Blow, Free of Heat Pump, 230V Cool/heat Unit, MED	1.0	171203000000505
20.8	Mounting rack of main control panel	1.0	121203000000521
20.9	Power Transformer	1.0	112031030000249
21	Evaporator assembly Gas valve assembly	1.0	158203000000061
21.1	Evaporator	1.0	158203000000419
21.2	Capillary Assembly	1.0	15120300001223
22	Parts of compressor return pipe	1.0	15120300001340
23	Fixed speed rotary compressor	1.0	11103010000080
25	Parts of compressor exhaust pipe	1.0	15120300001056
26	Sub-cooling pipe assembly	1.0	15120300001137
27	Condenser Assembly	1.0	158203000000561
28	Floor Subassembly	1.0	122203000000416
29	Thermal drain valve	1.0	17400510000001
31	Chassis Subassembly	1.0	122203000000821
32	Electrical Heating and Installing Box	1.0	122203000000458
33	Front Lower Air Duct Foam	1.0	128203000000089
34	Remote controller	1.0	17317000A03529
35	Installing Accessories	1.0	120203000000053
35.1	Installing Located Block	2.0	122203000000536
35.2	Right clapboard	1.0	122203000000929
35.3	Shutter	2.0	12120300001327
35.4	Right shutter frame	1.0	12120300001355
35.5	Connection Bar on Case	2.0	12120300001348
35.6	Left frame strip	1.0	12120300001388
35.7	Left supporting panel	1.0	122203000000932
35.8	Upper Shutter Frame	1.0	122203000000897
37	Pocket of new vent door	1.0	12120300001264
38	Air Out Frame assembly	1.0	12120300A00635
38.1	Air Out Frame	1.0	121203000000822
38.2	Louver	2.0	12120300A00582
38.3	Louver Holder	2.0	12120300A00689
38.4	Louver	4.0	12120300A00586
	Display label	1	16020300A03764

Due to ongoing product improvements, specifications and dimensions are subject to change and correction without notice or incurring obligations. Determining the application and suitability for use of any product is the responsibility of the installer. Additionally, the installer is responsible for verifying dimensional data on the actual product prior to beginning any installation preparations.

Incentive and rebate programs have precise requirements as to product performance and certification. All products meet applicable regulations in effect on date of manufacture; however, certifications are not necessarily granted for the life of a product. Therefore, it is the responsibility of the applicant to determine whether a specific model qualifies for these incentive/rebate programs.

Comfort-Aire®

1900 Wellworth Ave., Jackson, MI 49203 • Ph. 517-787-2100 • www.marsdelivers.com

